

FURUTECH

PURE TRANSMISSION



NCF[®]



e-TP80S NCF

AC Multimode Power Filter and Distributor

Rating: AC125V 15A 1875W max.

GC-303 EMI-Absorbing Internal Coating plus EMI noise filter.

- Two filtered duplex receptacles (one EMI filter for each receptacle).
- GC-303 EMI-Absorbing coating for each of the four duplex Receptacles.

Nano Crystal² Formula (NCF).

Incorporated into selected Furutech products, NCF features a special crystalline material that has two 'active' properties. First, it generates negative ions that eliminate static. Second, it converts thermal energy into far infrared. Furutech combines this remarkable material with nano-sized ceramic particles and carbon powder for their additional 'piezoelectric effect' damping properties. The resulting Nano Crystal² Formula is the ultimate electrical and mechanical damping material. Created by Furutech, it is found exclusively in Furutech products.

The e-TP80S NCF is a sophisticated, luxuriously made power distributor that eliminates many common problems found with audio and video components caused by massively contaminated electrical power. The AC waveform becomes severely distorted by ground noise, voltage spikes and sags, high frequency power supply noise from other components in your own system, plus radiated high frequency digital noise from processors and digital interconnects.

There are also distortion products at the top and bottom of the AC waveform created by switch-mode power supplies in electronic devices on the same circuit. Additionally, you're never alone; your residential AC mains supply is shared with other apartments, homes, and businesses on the same utility transformer. That's why

many audio and video enthusiasts notice their systems are more enjoyable late at night or on weekends!

The beautifully crafted special grade aluminum chassis effectively shields against another common problem, RFI (Radio Frequency Interference), and a layer of Formula GC-303 blocks EMI (Electro Magnetic Interference). Internal wiring is FURUTECH μ -14 wire (14 AWG) that guarantees low resistance. Furutech Hyper Quality Audio Grade Receptacles are wired to the IEC AC input of the e-TP80S NCF. Receptacles feature rhodium-plated phosphor bronze, non-magnetic conductors for stable, long lasting, optimized power transfer.

Furutech's Two-Stage Cryogenic and Demagnetization Alpha Process

Using cutting-edge technology and materials, Furutech developed a low-temperature two-stage process that significantly improves every facet of audio and video performance. The treatment begins during the manufacturing process with a deep, conditioning cryogenic freeze of all metal parts. Using high-end refrigerants -- liquid N2 or He -- Furutech achieves temperatures of between -196 to -250°C. The treated parts actually change their molecular structure at these extremes of temperature relieving internal stress. The molecules bond together more tightly, and the overall structure becomes more stable. This improves electrical conductivity and so power and signal transfer.

Step two in the Alpha Process exposes these same parts to the patented Ring Demagnetization treatment. Ordinary high-power magnets used for this purpose often increase magnetic effects; they leave some areas more magnetized than others. This patented process uses controlled attenuation to completely eliminate magnetization for immediately more vivid and colorful improvements. Ring Demagnetization further enhances conductivity of all treated materials.

ALL metallic parts used in Furutech products go through the Alpha Process treatment to keep all connectors, conductors, and metal parts in a perfect stress-free, stable and highly conductive state.

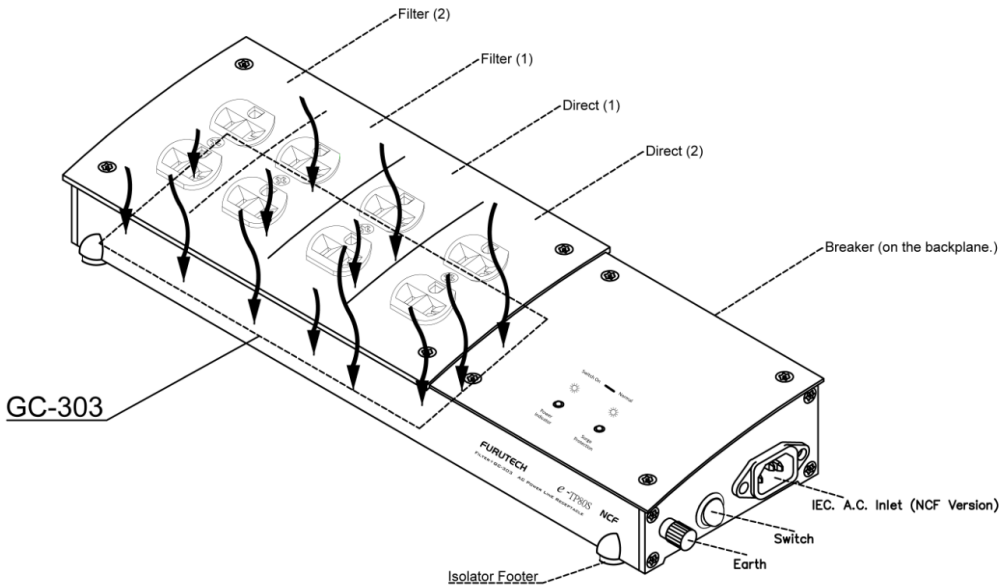
Formula GC-303

GC-303 is a special material Furutech bonds to the interior bottom-plate of the chassis (see illustration below) that absorbs any EMI (Electromagnetic Interference) noise that may be transmitted through your power source or generated by the internal fittings of the unit.

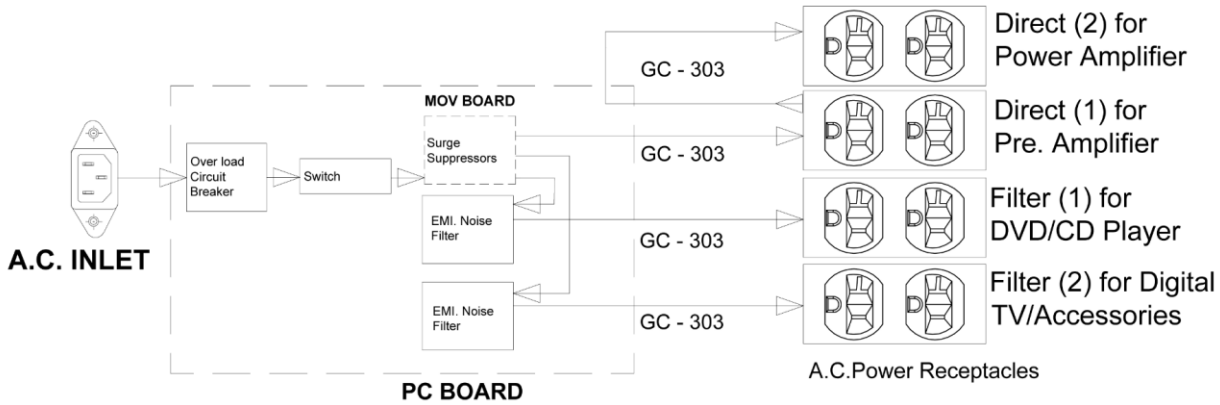
The Final Result

The 2-Step Cryogenic and Demagnetizing Alpha Process works in tandem with other design-in features to create the most optimized AC power transfer possible. Furutech's total awareness and devotion to detail results in a greater sense of power, dynamics, and resolution, with cleaner, blacker backgrounds and a larger, more stable soundstage, vivid tonal colors and deeper extension at both ends of the frequency range. The e-TP80S NCF will allow the delicacy, refinement and nuance of a performance through, along with micro- and macro-dynamics that will leave you breathlessly engaged. Displays of all types will exhibit greater, sharper resolution with less ghosting, color shift, "snow", or vertical and horizontal lines.

Absorb Noises in Non-contact way



CIRCUIT PATH



Furutech’s new e-TP80S series features audio grade FILTER and MOV circuitry:

Combined EMI Filter and Surge protection

Voltage fluctuations, electrical storms and power spikes can damage sensitive electronics. Furutech’s e-TP80S NCF is fitted with a surge protector for that important layer of defense to protect your system.

During a voltage spike event, the e-TP80S NCF’s new MOV circuitry will automatically cut power to the main circuit board EMI filter line to prevent short circuit and protect your system. In addition, the audio grade MOV circuitry will damp any electrical and mechanical resonance caused by electrical resistance, heat and power flow.

For convenience LEDs indicate normal function of the e-TP80S NCF surge protection function and EMI filters. When the LEDs are “on” you are noise free and surge protected.

Specifications

- Voltage: AC 125V 50/60Hz
- Fuse current: 15 A
- Loading watt: 1875 W
- Grounding outlet: 8 Holes
- Overload protective type: Automatic circuit (replacement of varistor required after surge protection event)

- Insulation volt.: AC 1500V 1 MINUTE 5mA
- Leakage current: Under 1.0mA
- Max. Spike voltage: 6000V
- Max. Clamping voltage: 360V (8x20μSec)
- Max. Surge current: 4500A (8x20μSec)
- Noise Filter: -20db~92db (2~100Mhz)
- Energy (2ms):40J
- Insulation resistance: 300MΩ Above DC 500V
- Body material: AL. ALLOY PLATE (PAINTED)
- Power indicator: LED
- Surge protection indicator: LED
- Beautifully engineered rhodium-plating treatment nonmagnetic Phosphor bronze receptacles.
- Receptacle insulated with RoHS compliant special audio grade nylon/fiberglass with a special anti-resonance nano-sized crystalline, piezo ceramic particles and carbon damping material body with special anti-resonance nano-sized crystalline "NCF" material polycarbonate cover for improved vibration damping.
- Furutech's Top high-end audio grade IEC inlet FI-06 NCF(R)
- Formula GC-303
- High-quality nano ceramic particle composite Isolator Footers.
- Outward size: 400X130X60 mm approx.
- Net Weight: 1.8Kg approx.

Product name	Product Introduction	Jan Code
e-TP80S NCF	AC Power Filter + GC-303	4580370444018

*All metallic parts are treated by ***FURUTECH** α(Alpha) Process (Super Cryogenic & Demagnetize Treatment .)*

FURUTECH CO., LTD. service@furutech.com

 **NCF**[®] is a registered trademark of Furutech Co., Ltd. Japan