

FURUTECH

PURE TRANSMISSION



NCF material

Lineflux NCF (RCA) Interconnect Cable



NCF: Nano Crystal² Formula

Incorporated into selected Furutech products, NCF features a special crystalline material that has two 'active' properties. First, it generates negative ions that eliminate static. Second, it converts thermal energy into far infrared. Furutech combines this remarkable material with nano-sized ceramic particles and carbon powder for their additional 'piezoelectric effect' damping properties. The resulting Nano Crystal² Formula is the ultimate electrical and mechanical damping material. Created by Furutech, it is found exclusively in Furutech products.

Refinement Personified

All audiophiles search for the same qualities: Verisimilitude to the original event, a sense of engagement promoting suspension of disbelief, a visceral immersion in the audio video experience.

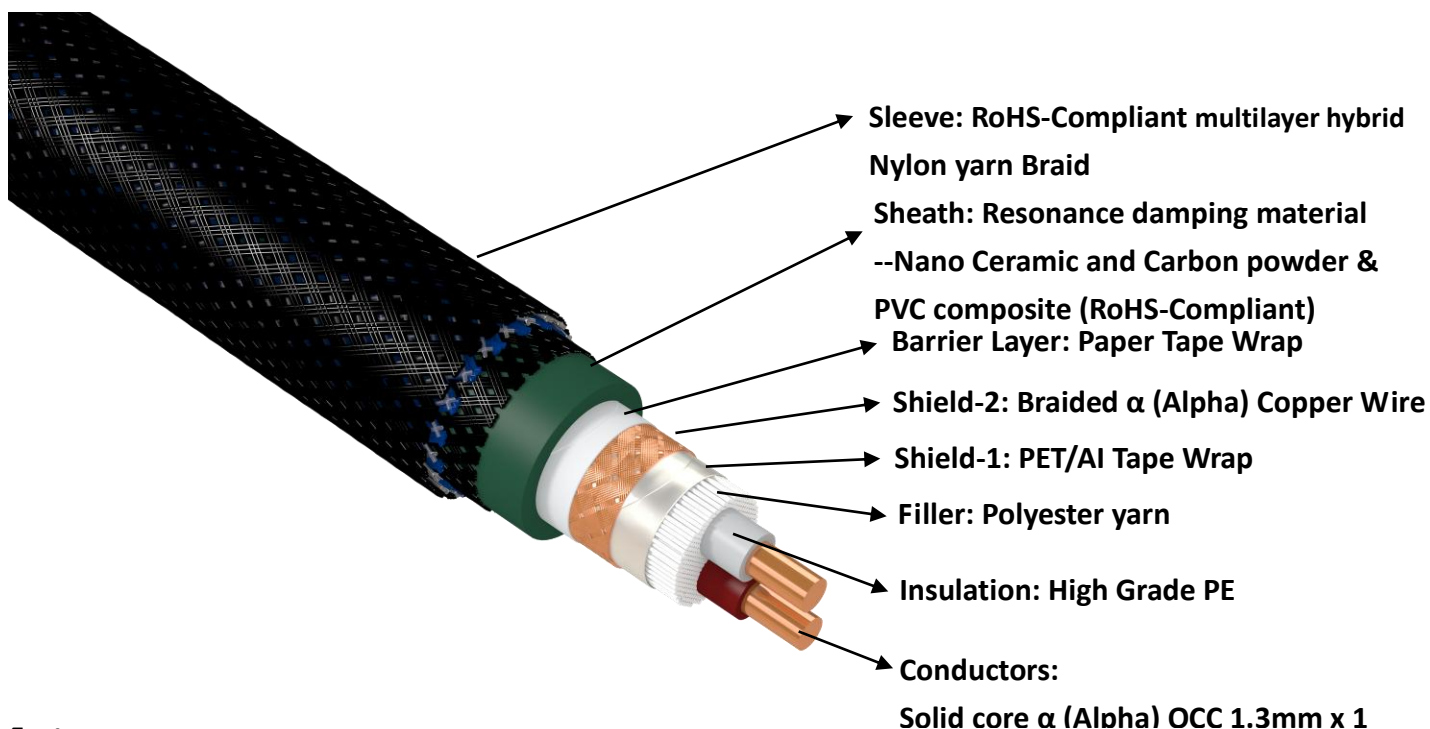
The dilemma faced by many is that poor recording values are more apparent as audio systems gain clarity, transparency and resolution. Recordings that are acceptable sounding on a compromised system may grate as the bass, midrange and upper frequencies open up.

The wideband, smooth, extremely low noise and utterly musical presentation achieved by Furutech's beautifully finished Lineflux NCF (RCA) cables is down to meticulous engineering and a careful audition of various suitable materials. These results in the superb overall balance of qualities that Furutech is known for that allow you to feel, experience and *communicate* with music.

Furutech Lineflux NCF (RCA) interconnects feature solid-core α (Alpha) OCC conductor, double-layer shielding and a high-grade polyethylene dielectric and a composite sheath incorporating resonance damping material--Nano

Ceramic and Carbon powder for improved signal transmission. Also featuring CF-102 NCF RCA connectors with special One-piece construction design, layered 3K silver carbon fiber on a nonmagnetic stainless-steel body and a rhodium plated OCC pin injected with Furutech's ultimate anti-static and resonance damping material – NCF. The results are extremely fine resolution down and through the very low noise floor, improved sound staging and image palpability, a musical, attractive, "round" midrange, tight and controlled bass, plus power and dynamics to spare.

α (Alpha) Conductors are comprised of fine OCC wires strands and treated with Furutech's Alpha Cryogenic and Demagnetizing Process



Features

- Solid core α (Alpha) OCC Conductor.
- Double-layer shielding for improved noise insulation.
- Insulation/Dielectric: High-grade polyethylene.
- Resonance damping material--Nano Ceramic and Carbon powder & PVC composite sheath.
- Dimensions: Cable diameter approx. 13.0mm.
- Overall length: 1.2M/set.

Connectors

CF-102 NCF(R) RCA connectors detail as below:

- α (Alpha) OCC Rhodium-plated one-piece construction conductor tube pin injected with Furutech's ultimate anti-static and resonance damping material – NCF.
NCF delivers improvements in the depth and focus of the sound stage, harmonics and tonal balance. Low frequencies are cleaner, with a greater sense of definition made possible by a lowered noise floor.
- α (Alpha) Copper Alloy Rhodium-plated Body.

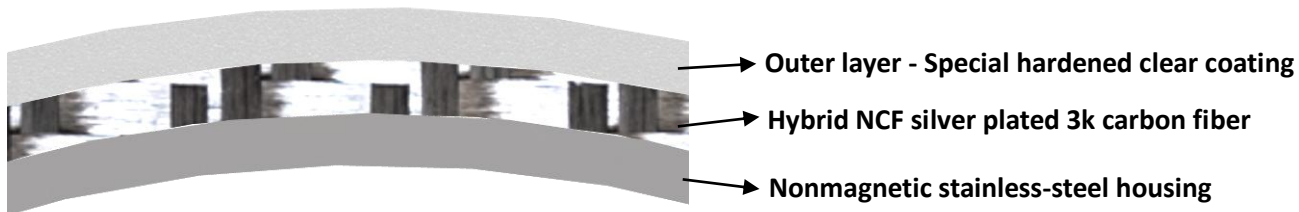
- Housing: Multilayer hybrid NCF carbon housing composed of an outer hard clear coat over with another layer of Hybrid NCF Silver plated 3k carbon fiber on a nonmagnetic stainless-steel Housing. The best of damping and insulation materials improve frequency extension and tonal balance.
- Conductor wire fixed by set screw.
- Specified for cable diameters max. 11.0mm.

RCA connector construction enlarged image

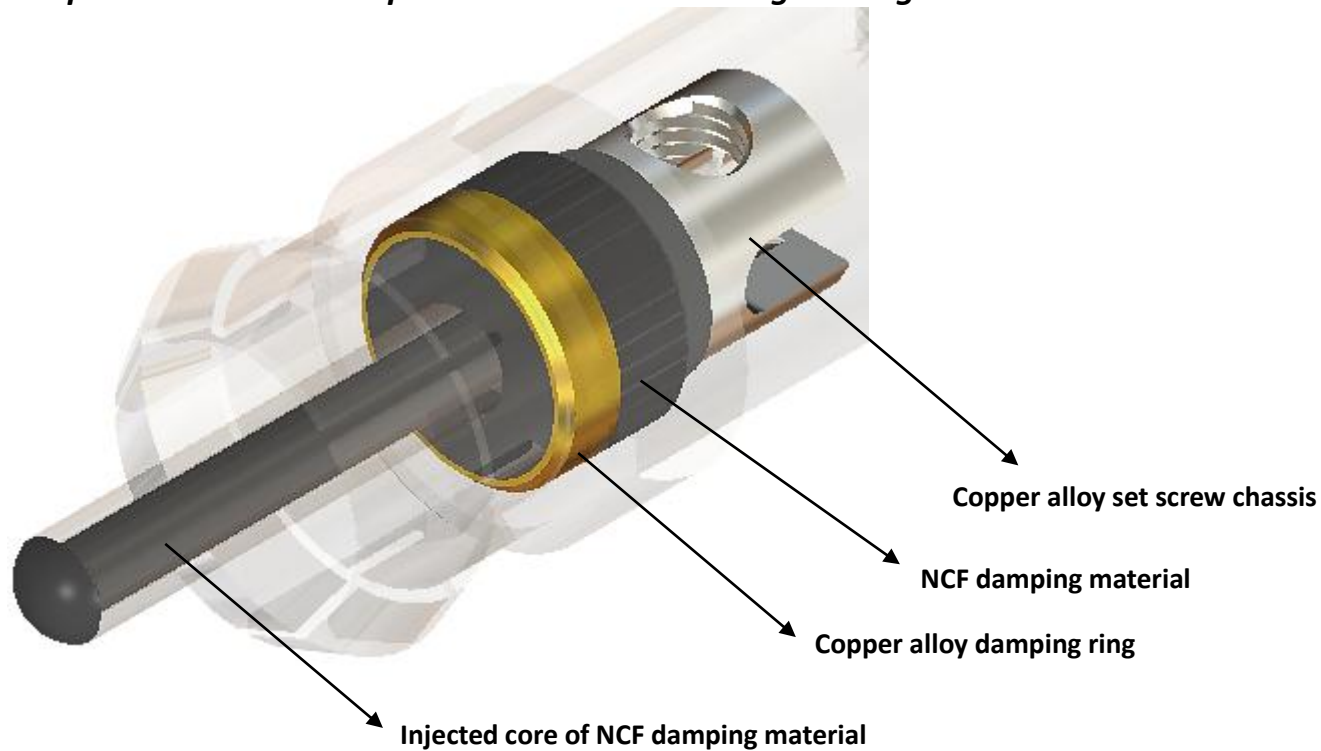


Incorporates NCF material:
 α (Alpha) OCC Rhodium-plated one-piece construction
conductor tube pin injected with Furutech's ultimate
anti-static and resonance damping material - NCF

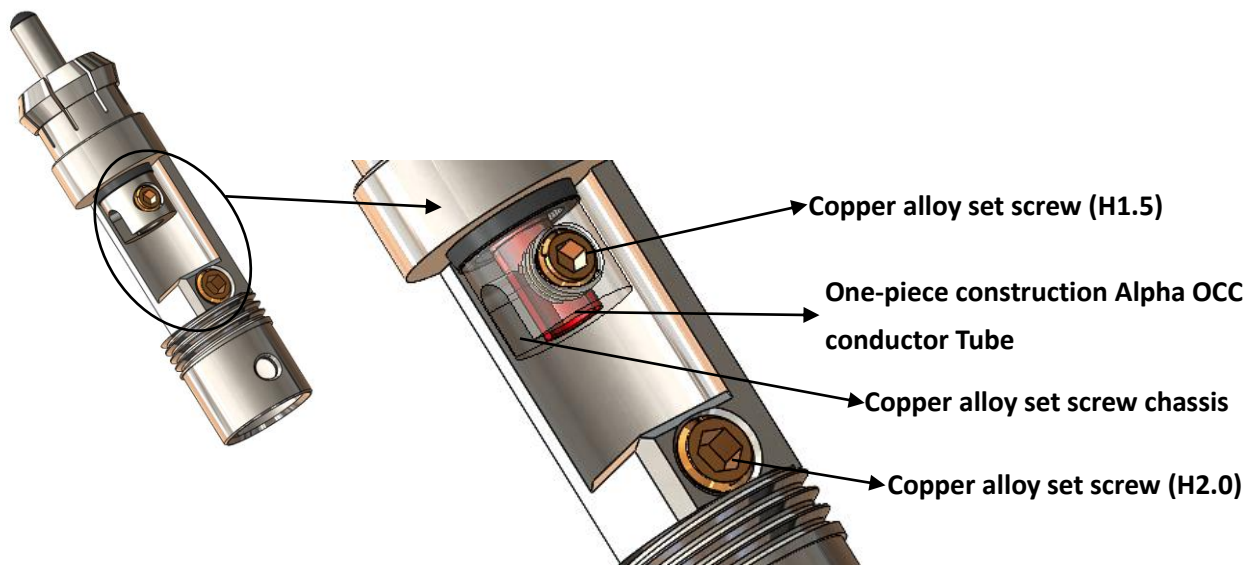
Housing multilayer structure description



One-piece construction Alpha OCC conductor enlarged image



Specially engineered set screw construction to ensure firm contact with Alpha OCC conductor



- Dimensions: 14.0mm diameter x 54.0mm overall length
- Net Weight: 29.5 g approx.

Product name	Product Introduction	Jan Code
Lineflux NCF 1.2M (RCA)	Interconnect Cable (1.2Mx2)	

All metal parts are treated with ***FURUTECH** α (Alpha) Process (Super Cryogenic & Demagnetize Treatment.)

FURUTECH CO., LTD. www.furutech.com service@furutech.com

NCF® is a registered trademark of Furutech Co., Ltd. Japan